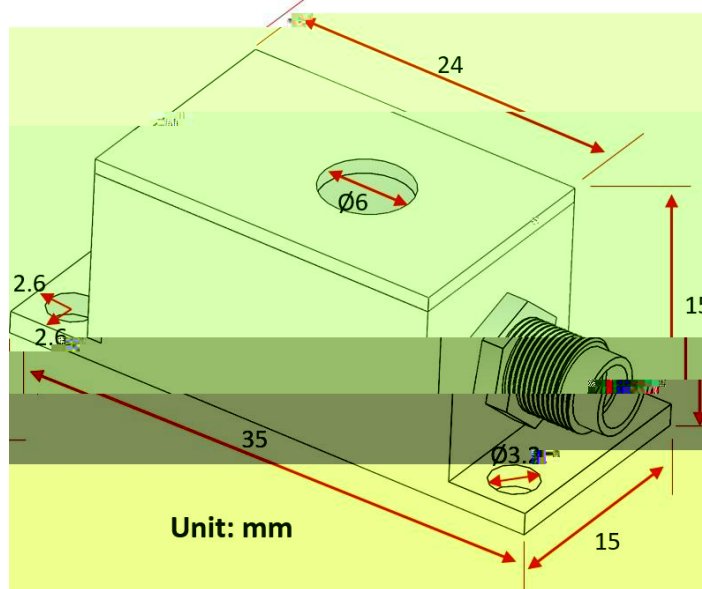
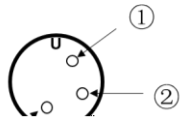


-
-
-
-
-





Analog Plug



Connector View
3 pin M5*0.5
Pin ① = power supply

Wiring Connections

